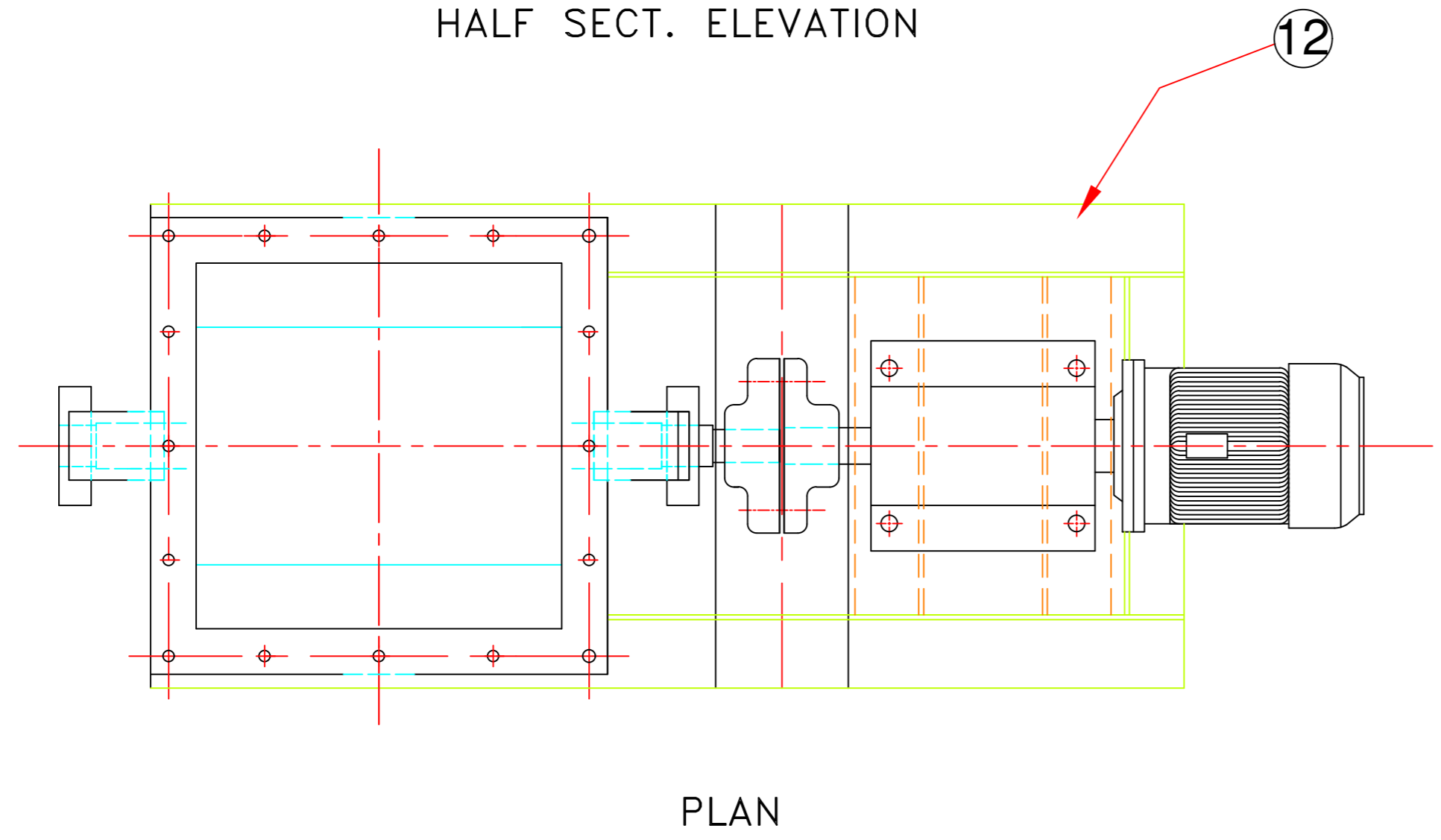
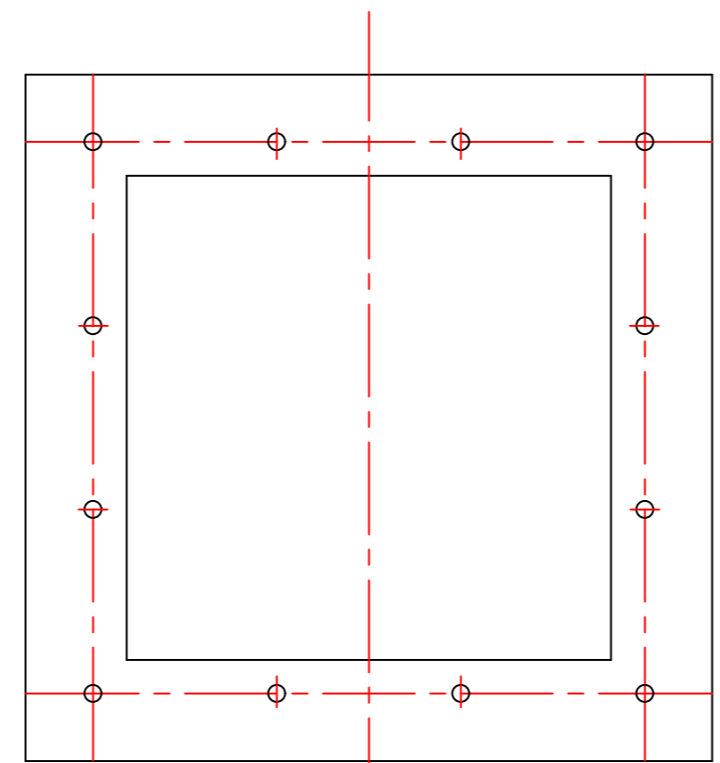


HALF SECT. ELEVATION

END VIEW



PLAN



BOTTOM FLANGE DETAILS

16	AIR PURGING NOZZLE	01	
15	MATCHING FLANGE	01	
14	COUPLING GUARD	01	
13	COUPLING	01	
12	DRIVE BASE FRAME	01	
11	GEARED MOTOR	01	
10	BEARING COVER	02	
09	BEARING (SKF/FAG)	02	
08	GLAND	02	
07	STUFFING BOX WITH GLAND PACKING	02	
06	INSPECTION DOOR	01	
05	BEARING HOUSING WITH BODY END PLATE	02	
04	ROTOR TIPS (ADJUSTABLE)	08	
03	ROTOR	01	
02	SHAFT	01	
01	MAIN BODY	01	
P.NO.	DESCRIPTION	QTY.	MATERIAL
		CLIENT	
		CONSULTANT	
		PROJECT	
DRN	-	TITLE	G.A OF ROTARY VALVE
CHKD	-		
APPD	-		
SCALE	-		
JOB No.:	-	SHEET 10F1	DRG. NO.: FEI-000
			REV 0